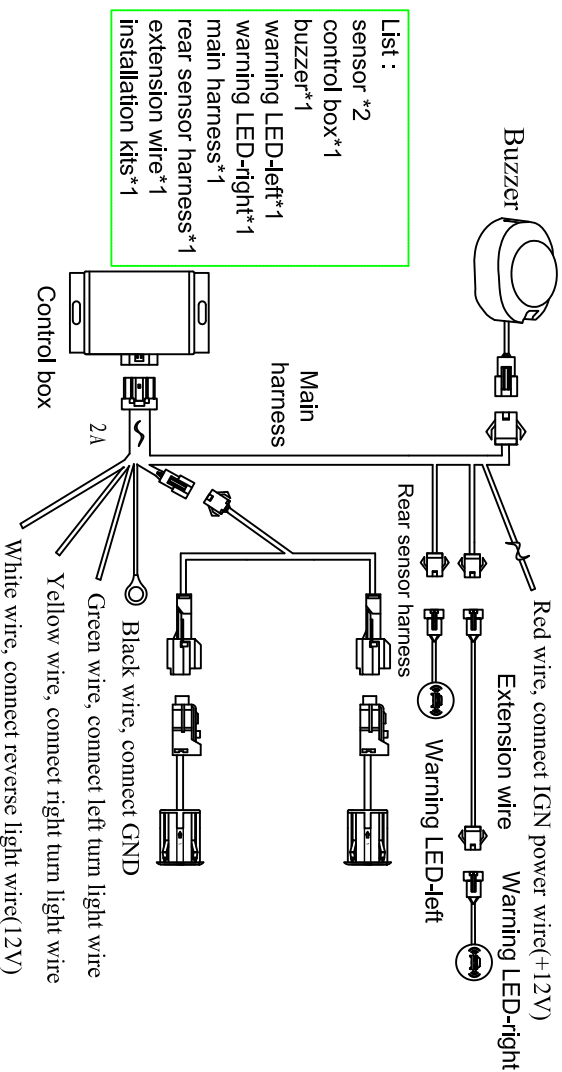
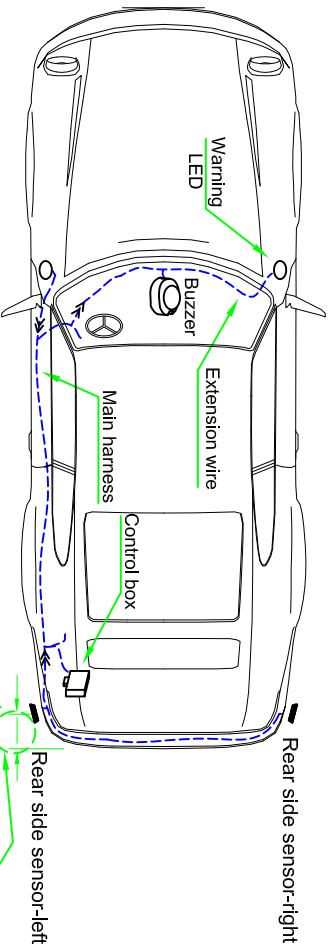


# Installation Guide (BSD1000)

## Product Constitution

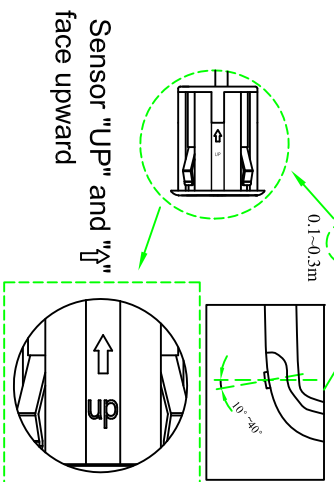


## Sensor Installation

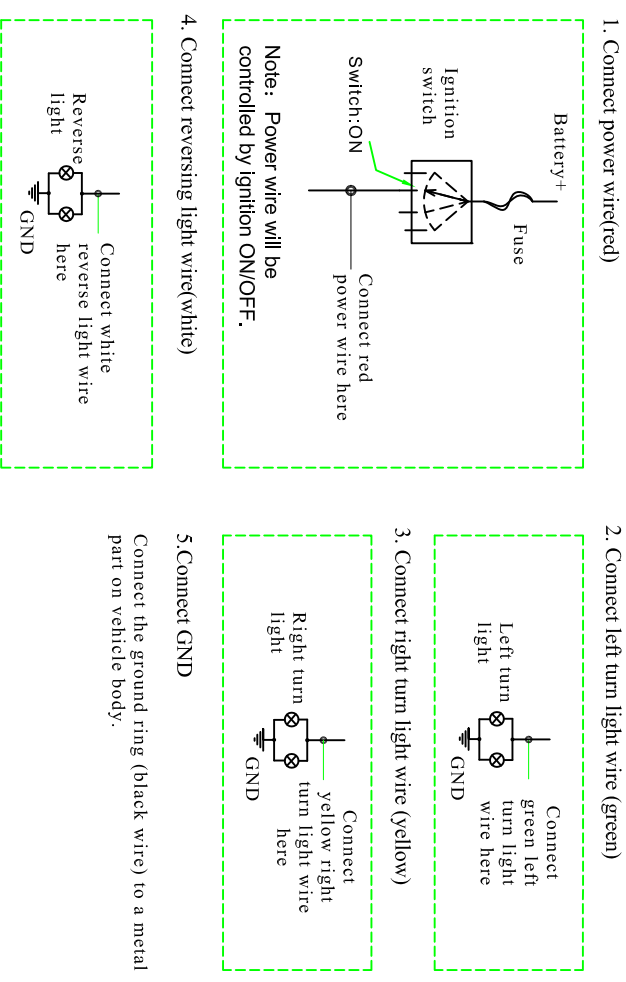


### Notice:

- Sensor installation height:0.5-0.7m. Sensor surface can't face ground or the system will give out false alarm easily;
- Please remove the burrs on the hole after drilling, ensure the size of the hole and make sure there's no sponge, metal board and plastic touching with sensor or the system will work abnormally (eg: false alarm);
- Rear side sensor should be installed at the side of the rear sensor.



## Connection Guide



## Remark of installation, examination and use

### 1. Installation

- This product is applied to 12V battery earth vehicle. Please validate the function before installation;
- In order to ensure the wire length and easy wire laying, please lay the control box at the left side of the trunk;
- Please connect the cable according to the label;
- Please make sure the wiring harness is fixed well and far away from vent-pipe and avoid pulling it heavily;
- Clip the two warning LEDs into the plastic weatherstrips on the A pillar.

### 2. FAQs

- The system is responsiveness after installed  
Please check the wiring connection and 2A fuse.
- The display alarms even there's no obstacle  
Please check if the sensor "UP" or "DOWN" faces up and the sensor doesn't face ground.
- False alarm when the vehicle high speed running  
Check the gap between front license and bumper, if it was too much, please fill the gap with sponge or press the license make it get close to the bumper.

### 3. USE

- Please exam the function after installation and before use;
- If there's ice or dirt on the surface of the sensor, please clean it immediately; paint will affect the detection ability;
- It will give out false alarm easily when running on slop, grassland or bumpy road;
- Obstacle like soft sponge, lubricous sphere and sharp thing can not be detected easily.