

USER'S MANUAL FOR

REVERSE PARKING ASSISTANCE SYSTEM FOR TRUCK

The System consists of 4 digital sensors, a controller, a buzzer and a wiring harness. The system is activated when the ignition is turned on and reverse gear is selected. The system measures the distance to the closest obstacle and then the buzzer will warn you by warning beep.

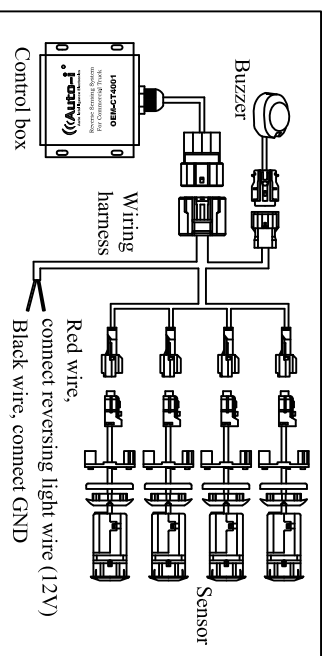
Function

1. Sound frequency change continuously, closer and faster

Distance	Buzz
>3m	no buzz
0.8m~3.0m	Bl----Bl----Bl Bl-Bl-Bl BlBlBl
<0.8m	constant sound

2. Adjustable sound volume (High/ Low /OFF)

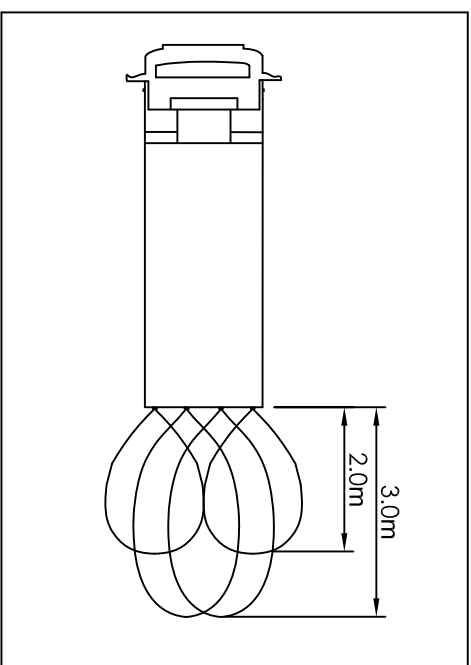
Wiring diagram



Specification

1. Operation voltage: DC 10~15V
2. Operation Temp: -30~+80°C
3. Consumption: ≤4W
4. Detection range: 0.3m~3.0m
5. Detection ability: human body detectable in 2.3m commonly

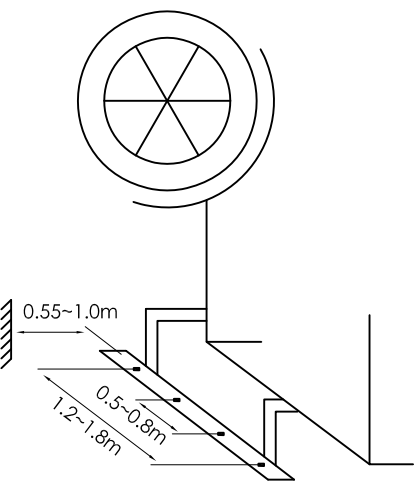
Detection area



The inner sensor's detection range is 3.0m and outer's is 2.0m.

Pay attention to assembling

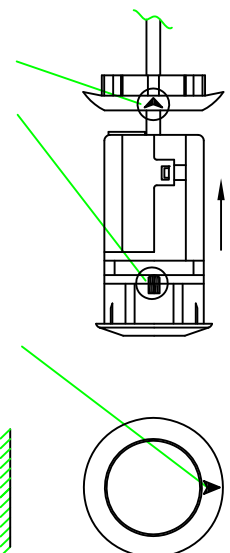
1. This product can only be used on 12V automobile;
2. There are "L, CL, CR, R" labels on wiring harness showing to connect the corresponding sensor;
3. Sensor's position for reference:



Notices

1. Because of automobile inertia and other facts in practical situation, please reverse automobile <6km/hr; when the display show distance ≤1.0m, please stop the automobile;
2. Please clean the ice and mud if there's any on the surface of the sensor. Don't paint on the surface of the sensor by yourself, this will also affect the detection ability;

If system give you fault warning, maybe ground is detected. Please check if the sensor "▲" side faces down or the installation position is too closer to ground.



3. Different kinds of clothes have different ability to reflect sound wave, so some of them may be detected in about 1.8m (in 2.3m can be detected in generalized case);
4. When running on large angle slope, grass land or gravel road, it is easily to give fault warning;
5. Attention please that it is not easily to detect obstacle in situations as follow:
 - 5.1 soft object like cotton and sponge
 - 5.2 smooth sphericity
 - 5.3 sharp object
7. This system can not apply to automobiles having spare tire;
8. Parking assistance system only used as an auxiliary equipment, driver need to take responsibility of safe by himself.